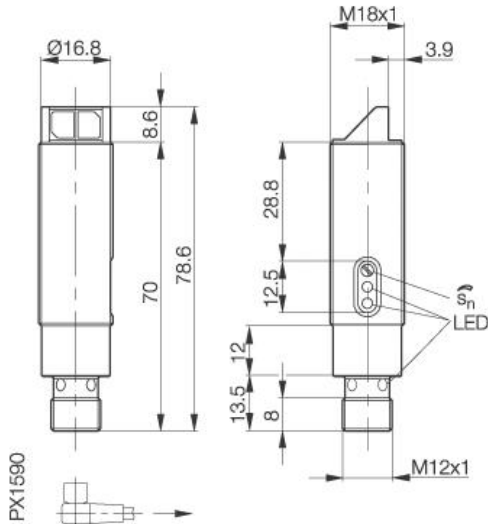


**Photoelectric Sensor**  
**BLE 18MR-PA-1PP-E5-C-S4**  
**Sn=16000mm**  
**through-beam, receiver**



**Common Data**

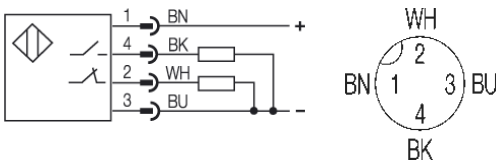
Series	18MR
Sensortype	through-beam, receiver
Switching frequency	1000 Hz
Rated operating distance Sn in mm	16000
asured operating distance Sa	16000
Indication Switching element on	yes, yellow LED
Indication Special funktion	Stability-indication
Ambient temperature	-25...+55°C
On-delay	<0,5ms
Light	Red light
Sensitivity Adjustment	Poti
Permissible ambient light	10000 Lux
Output function	light-on or dark-on

**Mechanical Data**

Measurements	M18x78,6
Shock	Halfsinus, 30gn, 11ms
Vibration	10...55Hz, 1,5mm Amplitude 3x2h
Housing material	nickel plated brass
Material of sensing face	Glass
Degree of protection	IP67
Connection	Connector S4 (M12)
Weigth	57g
Recommended connector	BKS-S20-8

**Electrical Data**

Current	DC
Switching function	NO/NC
Output	PNP
Rated operational voltage Ue	24V DC
Rated operational current Ie	200mA
Supply Voltage	10...36V DC
Ripple	< 20% from UB
Frequency of Supply Voltage	DC
No-load supply current	<20mA
Voltage drop	<2V
Short protection	yes
Protected against polarity reversal	yes



Utilization categories  
 Insulation class

DC13

Datasheet number:

Definitions see general catalog.  
 If not otherwise noted, ratings according to  
 IEC 60947-5-2 (DIN EN60947-5-2)

Balluff GmbH  
 Schurwaldstrasse 9  
 73765 Neuhausen a.d.F.  
 Phone (07158) 173-0 Fax (07158) 5010

Datenblatt by CD-ROM - 04/2007

**BALLUFF**  
 sensors worldwide